

NEW



A touch of a finger is sufficient.

NEW

EVoline® FlipTop Push

The FlipTop Push is an elegant solution supplying all work areas with power, data and multimedia.

Exchangeable modules for data and multimedia ensure unlimited flexibility in case requirements at the workplace change.

Simple and quick exchange of modules. Customisable with exchangeable modules.

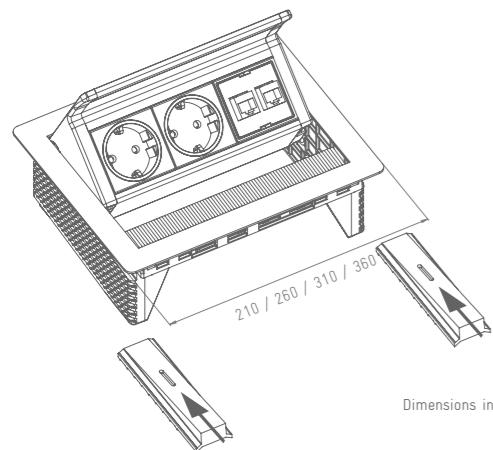


Push-to-open function. Final open position with locking mechanism allows easy insertion of plugs.

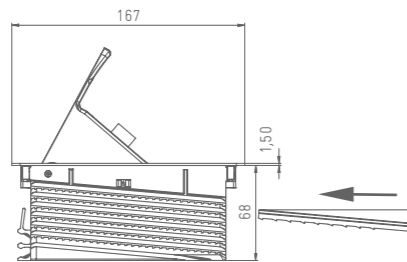


Flexible, exchangeable cable outlet module

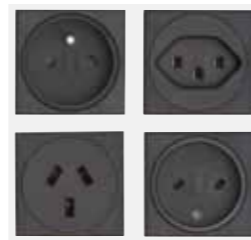
Quick installation



Dimensions in mm



International power socket modules



Quick installation, for desks up to 50 mm thickness



Adapter clip for safe connection to WireLane



Convenient cable routing ensures tidiness below the table



EVOLine® FlipTop *Push*



Description	Picture	Specification	Order number
<p>FlipTop Push S For installation in work surfaces with thickness of up to 50 mm. Three sockets, VDE-compliant, 60°, 16 A, contact-protected. Fixed supply cable 3.0 m with plug. Cover opens via push function; manual locking mechanism for top final position. Black brush strip.</p> <p>Installation dimensions: 157 x 195 mm</p>		housing made of black anodised aluminium, cover made of brushed stainless steel	1593 7002 4900
<p>FlipTop Push Data S For installation in work surfaces with thickness of up to 50 mm. Two sockets, VDE-compliant, 60°, 16 A, contact-protected. Fixed supply cable 3.0 m with plug. Two modular couplings RJ45 to RJ45 CAT6 shielded, 1:1 interconnected. Cover opens via push function; manual locking mechanism for top final position. Black brush strip.</p> <p>Installation dimensions: 157 x 195 mm</p>		housing made of black anodised aluminium, cover made of brushed stainless steel	1593 7002 8100
<p>FlipTop Push M For installation in work surfaces with thickness of up to 50 mm. Four sockets, VDE-compliant, 60°, 16 A, contact-protected. Fixed supply cable 3.0 m with plug. Cover opens via push function; manual locking mechanism for top final position. Black brush strip.</p> <p>Installation dimensions: 157 x 245 mm</p>		housing made of black anodised aluminium, cover made of brushed stainless steel	1593 7000 2700
<p>FlipTop Push Data M For installation in work surfaces with thickness of up to 50 mm. Three sockets, VDE-compliant, 60°, 16 A, contact-protected. Fixed supply cable 3.0 m with plug. Two modular couplings RJ45 to RJ45 CAT6 shielded, 1:1 interconnected. Cover opens via push function; manual locking mechanism for top final position. Black brush strip.</p> <p>Installation dimensions: 157 x 245 mm</p>		housing made of black anodised aluminium, cover made of brushed stainless steel	1593 7000 0200

Configure your very own EVOLine® FlipTop *Push*



Description	Picture
<p>FlipTop Push S For 3 modules</p> <p>Installation dimensions: 157 x 195 mm</p>	
<p>FlipTop Push M For 4 modules</p> <p>Installation dimensions: 157 x 245 mm</p>	
<p>FlipTop Push L For 5 modules</p> <p>Installation dimensions: 157 x 295 mm</p>	
<p>FlipTop Push XL For 6 modules</p> <p>Installation dimensions: 157 x 345 mm</p>	

Become a co-designer and configure your very own EVOLine FlipTop *Push*. Select from various country specific power sockets and multimedia modules.

Directly to EVOLine Configurator:
www.evoline.com/konfigurator

We always deliver fully assembled, tested and audited products.

EVOLine® FlipTop *Push* Accessories

Description	Picture	Specification	Order number
<p>FlipTop Push-Wirelane Adapter To connect WireLane to FlipTop <i>Push</i>.</p>		black	1599 0910 3300
<p>EVOLine WireLane Under-desk cable channel made of plastic. One package consisting of 3 pieces, each 250-330 mm in length. The elements can be linked and separated.</p>		black grey	6593 5201 0000 6593 5211 0000

Schulte Elektrotechnik GmbH & Co. KG

Jüngerstraße 21
D-58515 Lüdenscheid

phone +49 23 51 / 94 81-0
fax +49 23 51 / 4 26 58

Email info@schulte.com

Please find our complete
product range at
www.evoline.com

