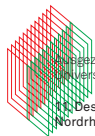


# EVoline® Plug



reddot design award  
winner 2011



ausgezeichnet mit dem 1. Preis  
Universal Home: Product Design  
Designpreis des Landes  
Nordrhein-Westfalen



Designpreis  
Deutschland  
2011  
NOMINIERT



interior  
innovation  
award  
2011  
Winner



Ausgezeichnet with der  
IENA Goldmedaille



award 2010



consumer  
favorite 2010



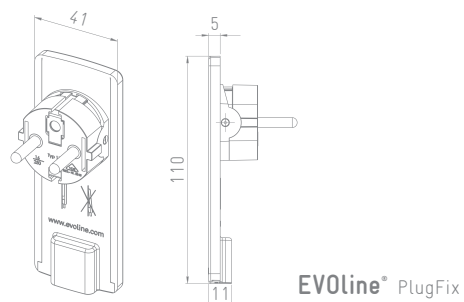
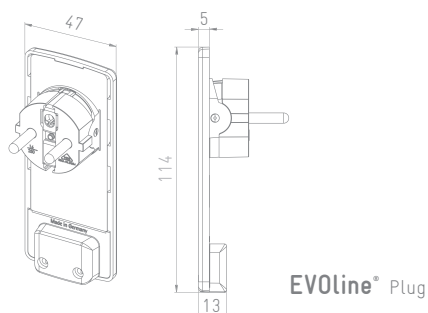
2012

Extremely thin. Fits behind any cupboard or cabinet. Prevents tripping hazards.

# EVoline<sup>®</sup> Plug | PlugFix

The EVoline Plug's ultra-low profile easily fits behind any piece of furniture. The intelligent joint mechanism transforms the handle into a lever – and the plug can be easily removed from the socket. Even in case of a pull on the cable, the plug is released without damage.

EVoline Plug Fix as flat plug solution for manufacturers cannot be dismantled. Our range offers versions with wire end ferrules, couplings, 3-gang socket rail or connectors.



Dimensions in mm

For detailed technical information, visit [www.evoline.com/plug](http://www.evoline.com/plug)



**Only with  
EVOLine Plug:**

Movable plug face  
for ease of use and  
to prevent tripping  
hazards



**NEW!**

**PlugFix:**  
With fixed cable  
for OEM volume  
orders.



**Only 5 mm**

housing thickness

# EVOLine®

**Schulte Elektrotechnik GmbH & Co. KG**

Juengerstrasse 21  
D-58515 Luedenscheid  
Germany

Telephone +49 23 51 / 94 81-0  
Fax +49 23 51 / 4 26 58

E-Mail [info@schulte.com](mailto:info@schulte.com)  
Internet [www.evoline.com](http://www.evoline.com)

